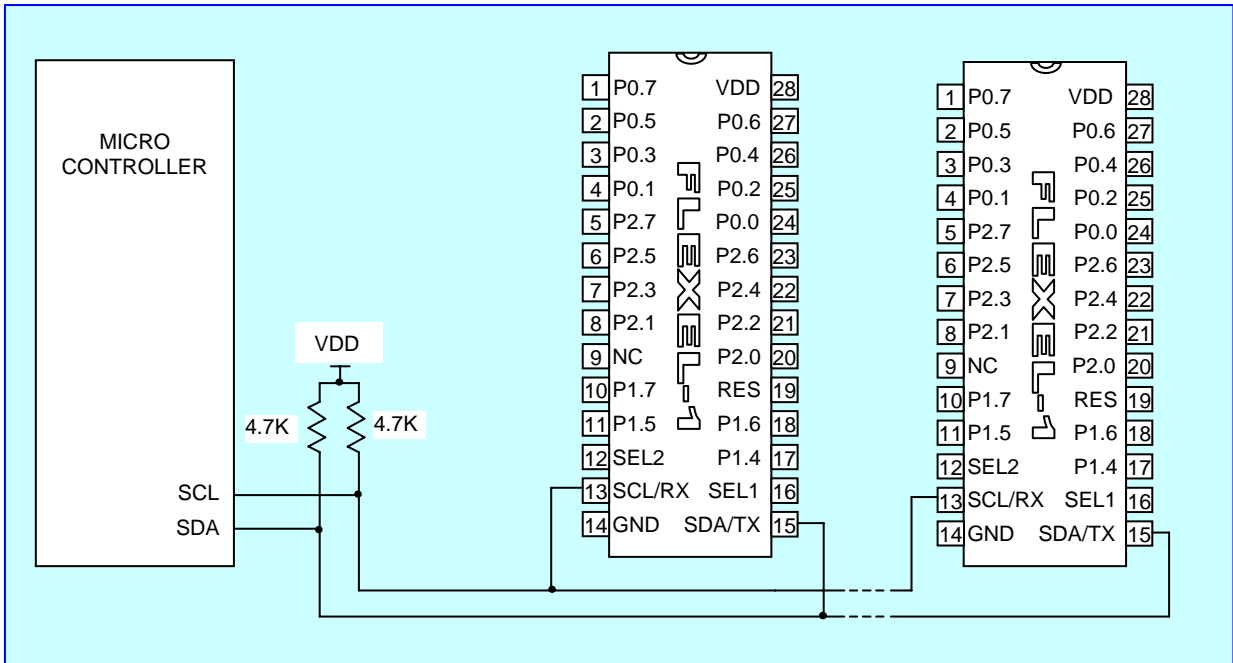


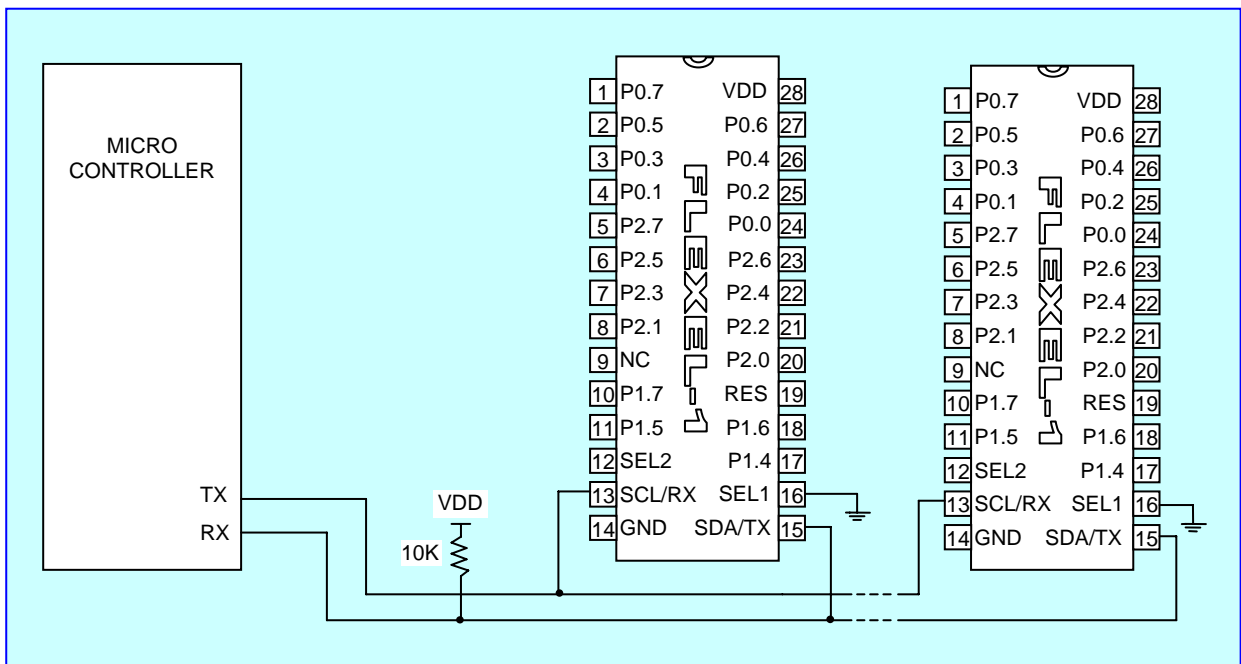
Connecting Multiple FLEXEL devices.

Each device must have its own unique address (ID). The address range is from 'A' to 'Z' (HEX from 0x41 to 0x5A). Default address shipped from the manufacture is 'A' (0x41). The address can be easily changed by send the command "Set the new device address" (See the FLEXEL Chip manual).

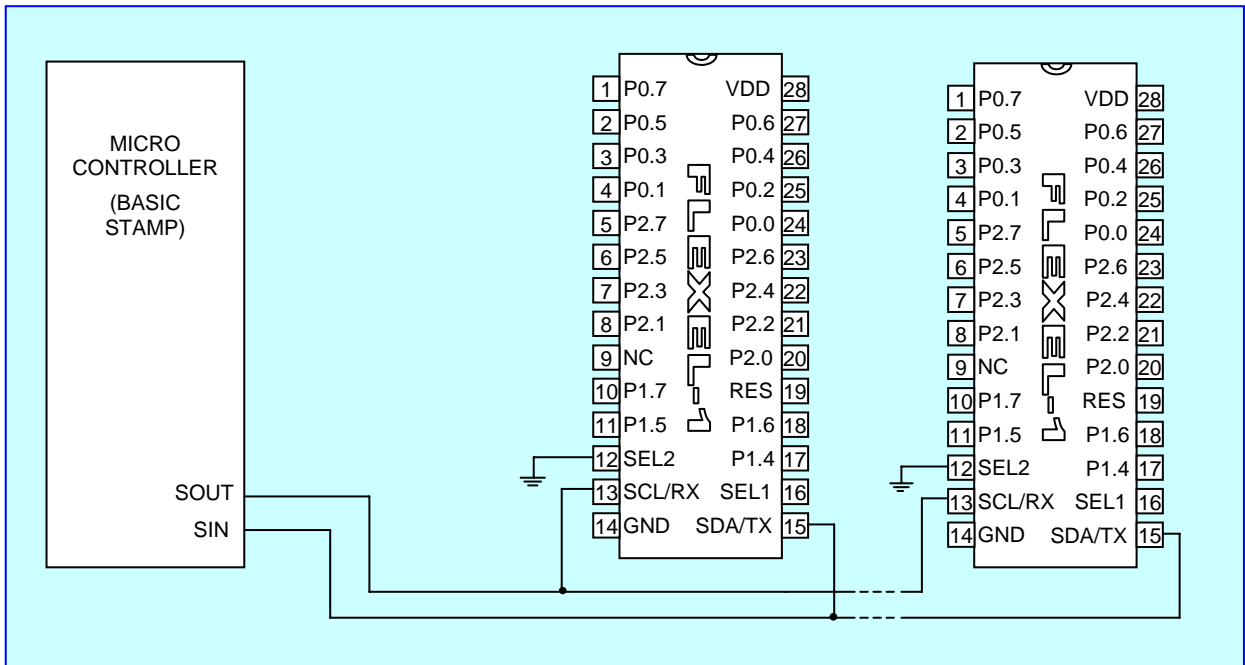
Connecting Multiple FLEXEL devices with I2C Slave Interface.



Connecting Multiple FLEXEL devices with Serial TTL Interface.



Connecting Multiple FLEXEL devices with Serial TTL Inverted Interface.



Connecting Multiple FLEXEL devices to Computer Serial port.

